

Meyer®

PATH PRO²™



Vehicle shown with
Electric Lift model #23275

The residential plow that's perfect for what you drive.

The Meyer Path Pro 2™ Plow is perfect for today's SUVs, light pick-ups or vehicles equipped with a Class 3, 5cm front receiver hitch. For applications such as long driveways or small lots, it's the perfect choice for turning your everyday vehicle into one mean snow clearing machine.



The Quick-Link™ mounting system allows you to attach the plow in less than one minute to the front of your vehicle using a Class 3, 5cm front receiver hitch.

Two Models Available



Manual Lift

To raise/lower the blade. Model #23175

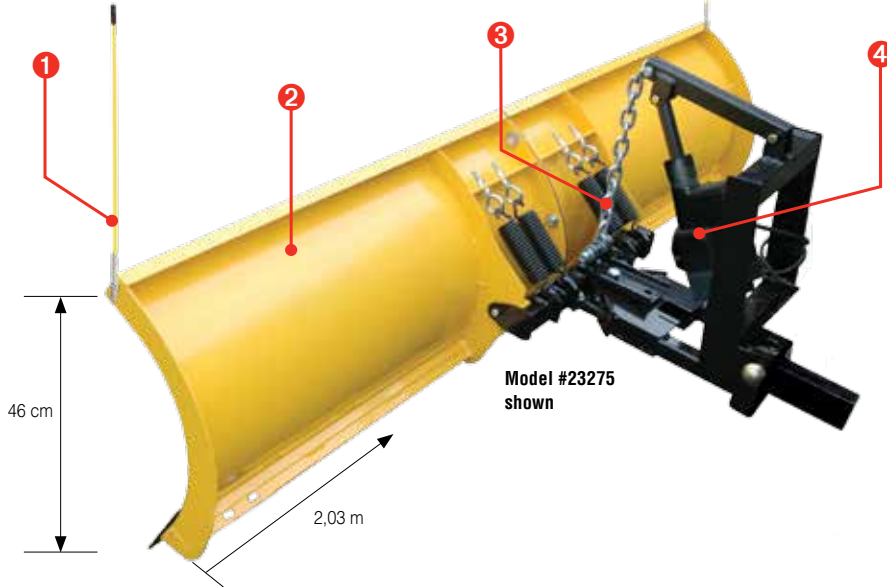


Electric Lift with wireless controller

For for up/down blade motion. Model #23275

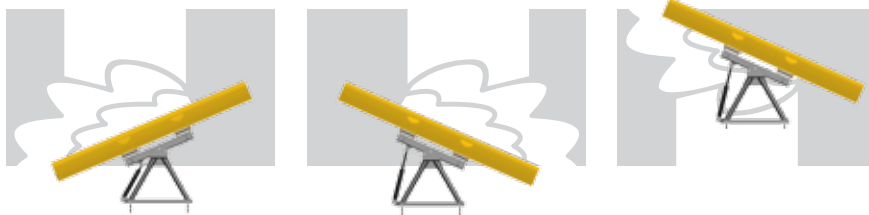


Vehicle shown with Manual model #23175



- 1 Plow Markers help determine the front and side edge of the moldboard.
- 2 Dura Slick™ Powder Paint provides better snow rolling action for increased clearing performance.
- 3 Adjustable chain* allows custom height as needed depending on terrain and vehicle requirements.
- 4 Electrically powered lift with wireless control* controls the up/down blade motion.

* Not available on model #23175.



Self-Angling™ is the difference

Path Pro 2 models angle without any power supplied help. Self-Angling allows the blade to angle left or right when it encounters the weight of the snow on the blade.



The Path Pro 2 comes ready to assemble in an easy-to-transport carton.

Path Pro 2™ Product Specifications

	Model # 23175	Model # 23275
Assembly required	Yes	Yes
Up/Down plow motion	Manual	Electric Wireless
Right/Left plow motion	Self-Angle	Self-Angle
Blade length	2,03 m	2,03 m
Width at full angle	1,8 m	1,8 m
Blade height	46 cm	46 cm
Plow weight	90 kg	100 kg

Available accessories/attachments:

- Cutting Edges
- Front Hitches
- Snow Shoes
- Plow Markers and more

Meyer
REINVENTED EVERY DAY.

Meyer Products LLC reserves the right under its continuing product improvement program to change construction or design details and specifications without incurring any obligation.

Meyer Snow Plows are protected by one or more of the following patents: 8006413, D0507999 S, D05179635, 8453358, 8695238, 7,918,042 B2, CA 2,677,509 C, D0517963 S, EP 1,989,402 B1, ES 2,346,587, 6,138,388, 7,591,087 B2, 7,661,211 B2, 7,793,440 B1, 8,739,437, 8,793,906, CA 2,604,085C, 6,354,024, 6,276,075, 6,318,975 B1, 6,564,479, 6,256,909, 6,594,923, 6,618,964, 7,114,270, 7,117,617, 7,290,359, D399,326 S, CA 2,300,012 C, CA 2,314,772 C, CA 2,331,653 C, CA 2,370,925 C, CA 2,455,637 C, CA 2,653,801 C, CA 2,654,856, EP 1,010,809, 7,353,628, 6,153,975, 6,273,729, CA 2,260,509 C, CA 2,282,045 C, CA 2,293,858 C, CA 2,298,243 C, 6,265,829, 6,015,219, 6,005,300, 6,163,985.